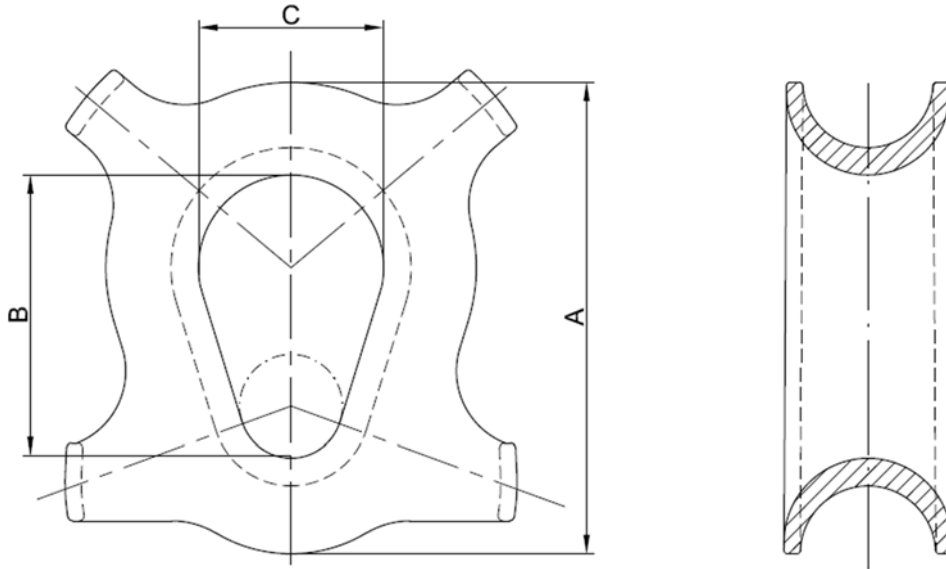


### Synthetic Thimble



**Material: High Tensil Alloy Steel**

**Finish: Hot Dip Galvanized**

Type	Rope Diameter(mm)	A	B	C	Weight (Kg)
ST1622	16-22	111.5	65	32	0.5
ST2430	24-30	146.5	90	51	1.25
ST3240	32-40	196	127	85	2.25
ST4856	48-56	247	149	92	5.2
ST64	64	274.5	165	108	7.9
ST72	72	316	194	120	12.25
ST80	80	349	217.5	127	14.45
ST8896	88-96	403.5	241	156	26.4
ST112	112	477.5	280	239	/